



NPSII Single Pump System Variable Frequency Drive Pump Stations

Big Features in a Small Package

If your industrial, municipal, or agricultural pumping applications require reliable constant pressure control, National Pump Company's NPSII pump stations and control packages are the answer. National Pump Company has taken the proven efficiency and capability of variable frequency drive technology to a new level in the design of our NPSII systems. Combining the small footprint and operator friendly controls of this unique system with the versatility of our NPSII standard and custom configurations allows National Pump Company to provide you with an affordable alternative in packaged pump station solutions. In locations where 3 phase power is unavailable or cost prohibitive, the NPSII variable frequency drive can also be used to convert single phase power to 3 phase. Standard NPSII pump stations are available in vertical turbine, centrifugal, and submersible models up to 50 HP, with custom stations and control panels available to 200 HP and larger. NPSII control packages are also uniquely suited for retrofitting to existing pump stations, or for constant pressure control in deep well applications.



State of the Art Technology and User Friendly Controls

The NPSII control system incorporates the variable frequency drive's on-board processor and operator interface to create a competitively priced alternative to other VFD systems or antiquated constant speed technology. NPSII features an intuitive LCD and integrated keypad to allow the operator to make control adjustments and gather a variety of needed data on the pump station's current status and history. The advanced technology of this system displays actual operating pressure directly through the operator interface device, and makes operating system changes as easy as pushing a few buttons. All standard NPSII pump packages are U.L. and C.U.L. listed Packaged Pumping Systems and/or Enclosed Industrial Control Panels. Standard control system features include a manual emergency bypass (3 phase models only), circuit breaker disconnects, sine wave tracking surge protection, and VFD input line reactors. Standard safeties include phase protection, high and low discharge pressure, low level (turbine and submersible), high temp (centrifugal), and low inlet (booster applications). A variety of optional controls and safeties are also available, as well as the capability to send flow, fault or status information and receive resets, shut downs or other instructions for remote control or monitoring.



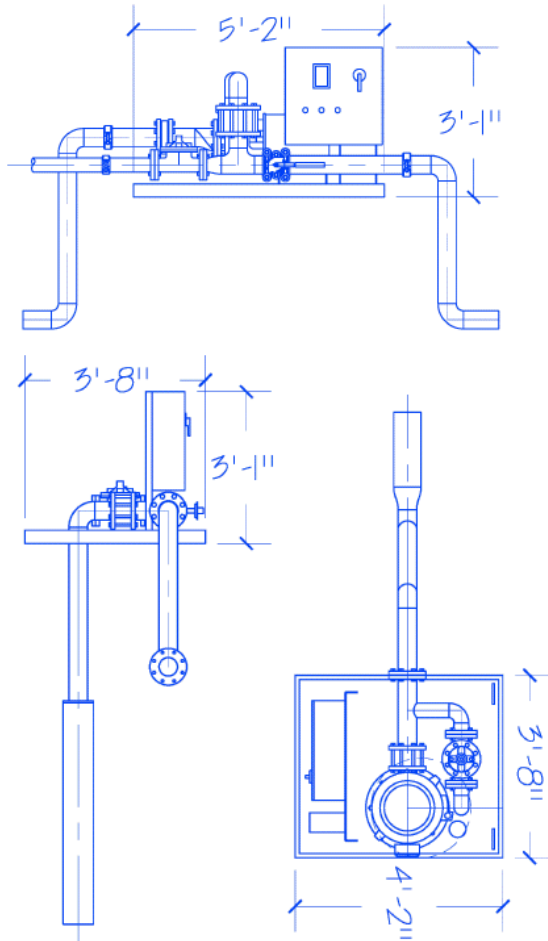
Innovation in Design

As with all National Pump Company Packaged Pumping Systems, a great deal of thought goes in to the mechanical design and construction of our stations. Structural integrity, flow characteristics, physical dimensions, and appearance are all taken into consideration, as well as ease of installation and serviceability. Although our standard NPSII models are compact enough to be housed in an optional dual access, powder-coated aluminum enclosure, you will still find ample access to service all equipment. To improve the longevity and finish of our products, National Pump Company uses a powder-coating process instead of liquid applied paint. Prior to the powder coating and baking process, all steel components are steel grit blasted to bare, white metal. Next, two layers of electrostatically charged polyurethane powder paint are applied to the already blasted steel components and the unit is then oven baked at a high temperature to provide a uniform finish that is highly resistant to scratching, chipping, and corrosion. All NPSII standard and custom configurations provide a well engineered balance in mechanical design, functionality, and efficiency.

www.nationalpumpcompany.com

Quality Manufacturing

All NPS pump systems are built at our Olive Branch, MS manufacturing facility, where each and every station undergoes a rigorous inspection and documentation process throughout the production process. From control panel design and construction in our U.L. listed panel shop, to fabrication, powder-coating, and assembly, we constantly monitor the quality of our workmanship. As a final assurance, each station is completely assembled, powered up, and tested to design capacity prior to shipment. During this process, the station is fully calibrated which allows for trouble-free installation and start up once the station is delivered. All calibration data and detailed component information is then stored in a database for future reference and technical support should the need arise.



NPSII features include:

- Standard model flow rates up to 1000 GPM with main pumps up to 50 HP
- Custom units to 200 HP and unlimited capacities
- NPSII Variable Frequency Drive control system with on-board processor
- Multi-function LCD operator interface terminal
- Adjustable startup ramp, PID tuning, and operating setpoint features
- U.S. and International voltages available, as well as single phase capability in all HP's
- U.L. and C.U.L. Listed Packaged Pumping Systems and Control Panels
- Fabricated steel construction with polyurethane powder-coated finish
- Pressure relief valve
- Emergency bypass controls (except single phase models)

Standard Safeties Include:

- High discharge pressure
- Low discharge pressure
- Low level safety (if applicable)
- High pump temp safety (if applicable)
- Low inlet pressure (if applicable)
- HMCP motor circuit protection and overload relay
- Incoming phase and voltage monitor
- Primary surge protection

Optional Features:

- Powder-coated aluminum, dual access station enclosure
- Remote monitor and control capability
- Flowmeter with totalizer
- Station heater
- Inlet and discharge isolation valves and zee pipes
- Intake pipe, foot valve and prime regulator
- Level control circuits
- Filtration and injection systems
- Step down transformer, load center, and power conditioner



Arizona
7000 W. Olive Ave., Peoria, AZ 85345-7102
(800) 966 5240 Fax: (623) 979 2177

California
2790 South Railroad Ave., Fresno, CA 93725
(800) 868 9755 Fax: (559) 497 8816



Florida
195 E. 3rd Street, Zolfo Springs, FL 33890
(800) 994 3045 Fax: (863) 735 8202

Georgia
902 East Union St., Vienna, GA 31092
(800) 741 2921 Fax: (229) 268 7868



Mississippi
11176 Green Valley Drive
Olive Branch, MS 38654
(866) 668 4914 Fax: (662) 895 1107

Texas
3107 Slaton Hwy., Lubbock, TX 79404
(800) 745 5393 Fax: (806) 745 6668



NATIONAL PUMP COMPANY LLC

Delivering Pump Systems,
Reliability, Dependability and
Service Since 1969

www.nationalpumpcompany.com

CS/NPSII/0802