

# Betta FLO

SUBMERSIBLE PUMPS

4" - 6" - 8"

- ★ RESIDENTIAL
- ★ COMMERCIAL
- ★ INDUSTRIAL
- ★ MUNICIPAL
- ★ MINING
- ★ IRRIGATION

**MAX**IMUM EFFICIENCY

**MAX**IMUM PERFORMANCE

**MAX**IMUM DEPENDABILITY



*Delivering Pumps and Pump Systems Reliability, Dependability and Services Since 1969*  
Visit us on the web at: [www.nationalpumpcompany.com](http://www.nationalpumpcompany.com)



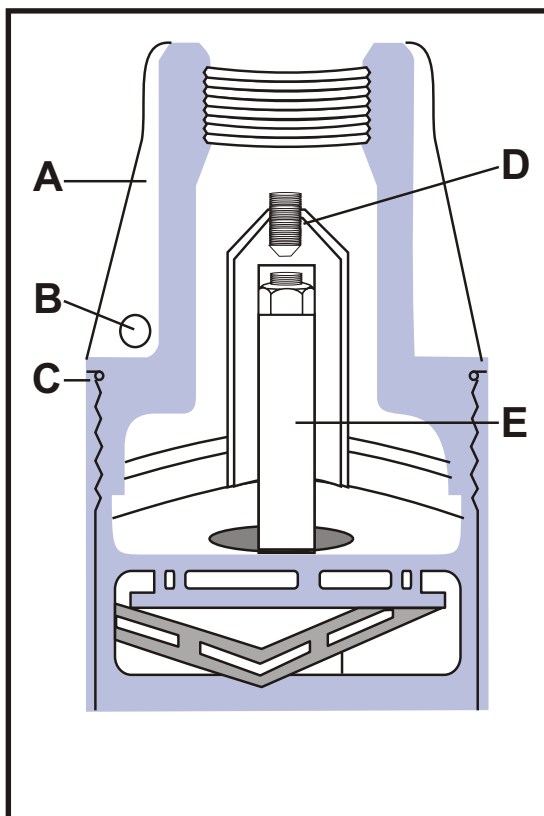
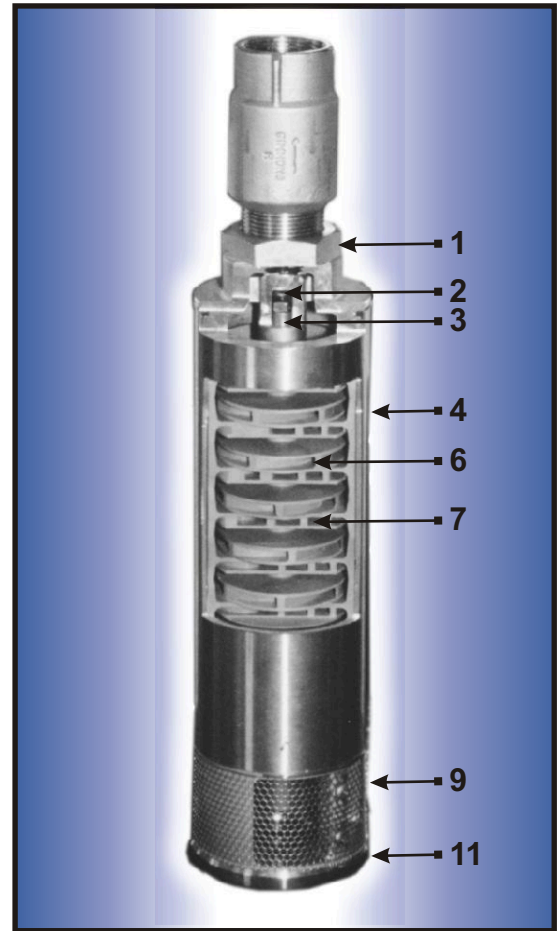
# 4" SUBMERSIBLE PUMP PRODUCT

1. Stainless steel or ductile iron discharge connection.
2. Anti-up-thrust set screw prevents impeller drag at startup and low head application. Increased pump life.
3. Extra large graphite-impregnated bronze bearing runs cool and quiet while providing perfect shaft alignment.
4. Stainless steel tubing provide corrosion resistance and long life.
5. Stainless steel cable guard protects motor leads during installation and pump start-up. *(Not shown)*
6. Impellers are made of abrasive resistant high strength glass-filled noryl.
7. High efficiency noryl diffusers provide for larger O.D. impellers.
8. Pump shaft in 7/16" hex series 400 stainless steel. *(Not shown)*
9. Stainless steel suction screen, completely non-corrosive, protects pumping elements from harmful materials.
10. Motor coupling is a one piece sintered stainless powdered metal part. The 7/16 hex shaft is locked in with a screw and with lock-tite applied to the threads. *(Not shown)*
11. One piece motor bracket and suction are supplied in stainless steel or ductile iron.

**NOT SHOWN:**

External check valve supplied on all pumps

Screw, nuts and washers are stainless steel.



**A** Rugged stainless steel or ductile iron discharge connection with external check valve. Designed to prevent vortexing and premature check valve failure. Guide vanes cast into discharge permit easy removal from wells where pump is installed below well casing.

**B** Convenient mounting port for submersible safety cable.

**C** O-ring gasket provides positive seal between discharge housing and stainless steel tube assembly. Increases efficiency and prolongs pump life.

**D** Case hardened steel cone point set screw, pre-adjusted at the factory, provides permanent and positive up-thrust protection for the life of your Betta Flo submersible pump and allows your pump to be used in all water levels without damaging the pump.

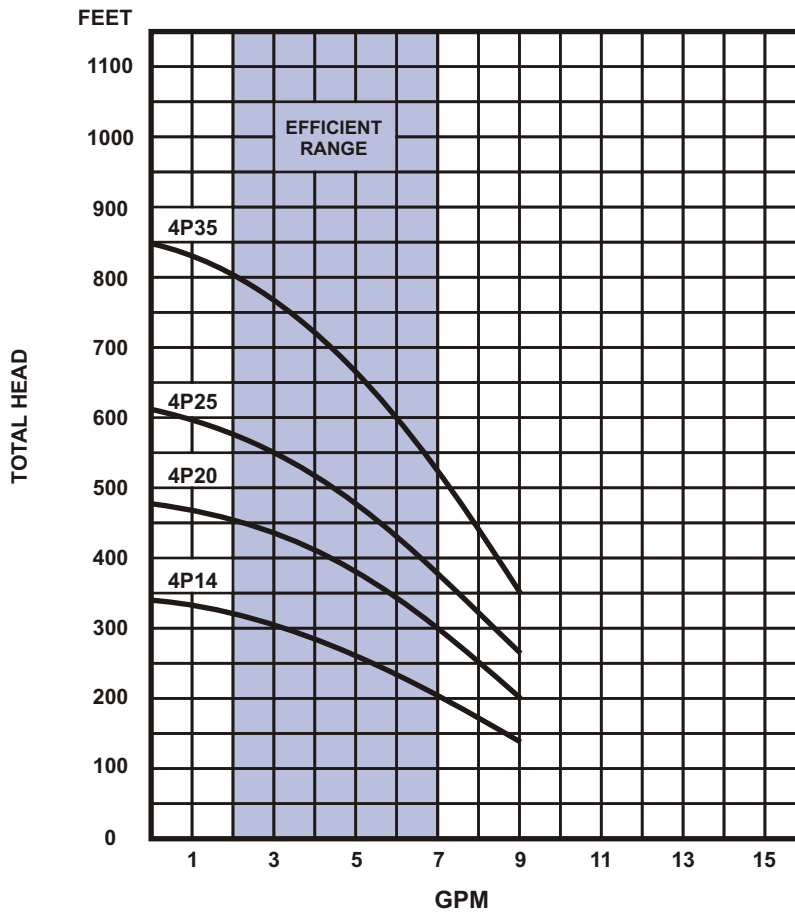
**E** Full 1-1/2" long graphite impregnated bronze bearing. Self-lubricating. Provides extremely long life and will not seize if pump breaks suction.





## 4" SUBMERSIBLE CURVE

### 4P SERIES



### GPM - WEIGHT AND LENGTH DATA

MODEL	HP	NO. OF STAGES	NO. WIRE	PHASE	LENGTH - INCHES		SHIPPING WEIGHT		DISCH. SIZE
					PUMP	MOTOR	PUMP	MOTOR	
4P14	1/2	14	2	1	16 7/8	9.53	11	18	1"
			3	1	16 7/8	9.53	11	18	1"
4P20	3/4	20	2	1	21 1/8	10.70	13	21	1"
			3	1	21 1/8	10.66	13	21	1"
4P25	1	25	2	1	24 3/4	11.75	14	24	1"
			3	1	24 3/4	11.75	14	24	1"
4P35	1 1/2	35	2	1	32	15.12	18	32	1"
			3	1	32	13.62	18	29	1"



# PERFORMANCE CHART

## 7 GPM SERIES

CAPACITIES IN U.S. GALLONS PER MINUTE

PUMP MODEL	HP	PSI	DEPTH TO PUMPING WATER LEVEL, OR LIFT, IN FEET																							
			SHADED AREAS INDICATE OPERATING RANGE																							
			20	40	60	80	100	120	140	160	180	200	240	260	300	340	380	420	460	480	520	560	600	700	800	900

7C11	1/2	0			17	16	15	14	13	12	10	9	6	3													
		20	17	16	15	14	13	11	10	9	8	5															
		30	15	15	13	12	10	10	9	7	4																
		40	15	12	12	11	10	9	7	4																	
		50	12	12	11	10	8	7	4																		
		60	11	10	10	8	6	4																			
SHUT OFF		PSI	109	100	92	83	74	66	57	48	40	31	14	5													

7C14	3/4	0			17	16	15	15	14	12	12	11	10	9	6											
		20	16	15	15	15	13	12	12	11	10	10	8	6												
		30	16	15	15	14	12	12	11	10	9	9	5	3												
		40	15	14	13	12	12	11	10	9	8	7	3													
		50	14	13	12	12	11	10	9	8	6	4														
		60	13	12	11	10	10	9	8	6	4	1														
SHUT OFF		PSI	141	133	124	115	107	98	90	81	72	64	46	38	20											

7C20	1	0					17	17	16	15	15	14	12	12	10	9	5	1								
		20				17	16	16	15	15	13	12	12	10	8	5	1									
		30			16	16	16	15	15	13	13	11	10	9	6	2										
		40		16	16	16	15	15	13	13	12	10	9	8	5											
		50	16	16	15	15	14	13	13	12	11	9	8	6	3											
		60	16	15	15	15	14	13	13	12	11	10	8	8	4											
SHUT OFF		PSI	195	187	178	169	161	152	144	135	126	118	100	92	74	57	40	22	5							

7C25	1 1/2	0						17	17	15	15	14	13	12	11	10	8	7	5	2					
		20					17	16	15	15	14	12	12	11	10	8	7	5	2						
		30				17	16	15	15	14	13	11	11	10	9	7	5	3							
		40			17	16	15	15	14	13	12	11	10	9	8	6	2								
		50		17	16	15	15	14	13	12	12	10	10	8	7	5									
		60	17	16	15	15	14	13	12	12	10	10	9	8	5	2									
SHUT OFF		PSI		224	215	207	198	190	181	172	164	146	138	120	102	85	68	50	42	25	8				

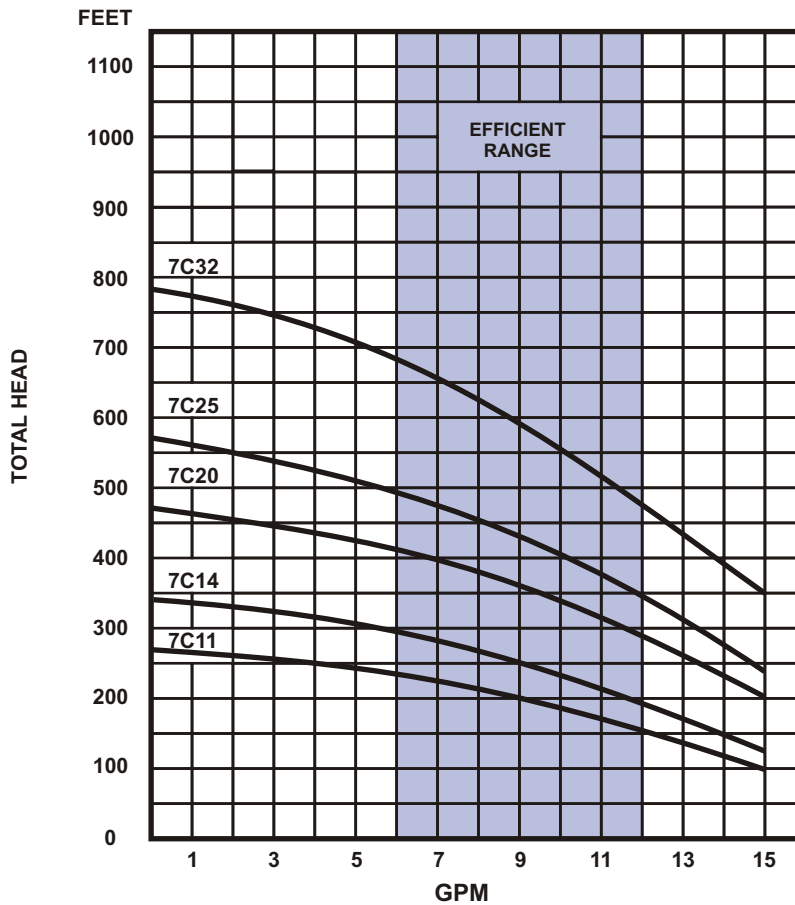
PUMP MODEL	HP	PSI	DEPTH TO PUMPING WATER LEVEL, OR LIFT, IN FEET																							
			SHADED AREAS INDICATE OPERATING RANGE																							
			300	320	340	360	380	400	420	440	460	480	500	520	540	560	580	600	620	640	660	680	700	740	780	820

7C32	2	0	15	15	15	15	14	13	13	12	12	12	11	11	10	10	9	9	8	8	7	6	6	4	1
		20	15	15	14	13	13	13	12	12	11	11	10	10	9	9	8	8	7	6	6	5	4		
		30	15	14	13	13	13	12	12	11	11	10	10	9	9	8	8	7	6	6	5	4			
		40	14	13	13	13	12	12	11	11	10	10	9	9	8	8	7	6	6	5	4				
		50	13	13	13	12	12	11	11	10	10	9	9	8	8	7	6	6	5	4					
		60	13	13	12	12	11	11	10	10	9	9	8	8	7	6	6	5	4						
SHUT OFF		PSI	205	196	187	179	170	161	153	144	135	127	118	109	101	92	83	75	66	57	49	40	31	23	14



## 4" SUBMERSIBLE CURVE

### 7C SERIES



### GPM - WEIGHT AND LENGTH DATA

MODEL	HP	NO. OF STAGES	NO. WIRE	PHASE	LENGTH - INCHES		SHIPPING WEIGHT		DISCH.
					PUMP	MOTOR	PUMP	MOTOR	SIZE
7C11	1/2	11	2	1	14 1/2	9.53	10	18	1"
			3	1	14 1/2	9.53	10	18	1"
7C14	3/4	14	2	1	16 7/8	10.70	11	21	1"
			3	1	16 7/8	10.66	11	21	1"
7C20	1	20	2	1	21 1/8	11.75	13	24	1"
			3	1	21 1/8	11.75	13	24	1"
7C25	1 1/2	25	2	1	24 3/4	15.12	14	32	1"
			3	1	24 3/4	13.60	14	29	1"
7C32	2	32	3	1	32 5/8	15.12	17	32	1"
			3	3	32 5/8	13.62	17	28	1"



# PERFORMANCE CHART

## 12 GPM SERIES

CAPACITIES IN U.S. GALLONS PER MINUTE

PUMP MODEL	HP	PSI	DEPTH TO PUMPING WATER LEVEL, OR LIFT, IN FEET																										
			SHADED AREAS INDICATE OPERATING RANGE																										
			20	40	60	80	100	120	140	160	180	200	240	260	300	340	380	420	460	480	520	560	600	700	800	900			

12J8	1/2	0	21	20	19	17	17	14	13	11	8	5																		
		20	18	17	16	14	12	10	7	4																				
		30	17	16	14	12	10	7	3																					
		40	16	14	12	10	7																							
		50	13	11	9	6																								
		60	11	9	5																									
SHUT OFF	PSI	84	76	67	58	50	41	32	23	15	6																			

12J11	3/4	0	21	20	19	19	18	17	16	15	14	13	9	7																
		20	19	18	17	17	16	15	13	12	10	9	6																	
		30	18	17	17	15	14	14	12	10	8	6																		
		40	17	17	15	14	13	12	10	8	5																			
		50	16	15	14	13	12	10	8	5																				
		60	15	14	13	12	10	8	5																					
SHUT OFF	PSI	117	109	100	90	82	73	64	55	46	38	20	11																	

12J14	1	0	21	20	20	19	18	17	17	16	15	14	13	11	9	5														
		20	20	19	18	18	17	16	15	14	13	12	10	8	6	5														
		30	18	18	17	16	16	15	14	13	12	10	8	6																
		40	18	17	16	15	14	14	13	12	10	9	6																	
		50	17	16	15	15	13	12	12	10	9	7																		
		60	16	15	15	13	12	11	10	9	7																			
SHUT OFF	PSI	151	142	133	124	115	106	97	88	79	73	56	48	30	13															

12J20	1 1/2	0					20	19	18	18	17	17	16	15	14	12	11	9	7	6									
		20				19	18	18	17	17	16	16	14	13	12	11	9	7	4										
		30			19	18	18	17	17	16	16	14	13	12	11	9	7	5											
		40		19	18	18	17	17	16	16	14	13	12	11	9	7	6												
		50	19	18	18	17	17	16	16	14	13	12	12	10	10	7													
		60	18	18	17	17	16	16	14	14	13	12	11	10	8														
SHUT OFF	PSI	220	212	201	193	185	176	167	159	150	141	125	115	98	81	63	47	29	21										

12J25	2	0										18	18	17	16	15	14	13	11	10	9	7	5						
		20										18	17	17	16	15	14	13	12	10	9	8	5	1					
		30										18	17	17	16	15	14	13	12	10	9	8	6	3					
		40									18	17	17	16	15	14	13	12	11	10	8	6	5						
		50							18	17	17	16	16	14	14	12	11	10	9	6	5	2							
		60					18	17	17	16	16	15	14	13	12	10	9	8	5	4									
SHUT OFF	PSI					239	230	222	213	204	196	178	170	152	135	117	100	83	74	57	39	22							

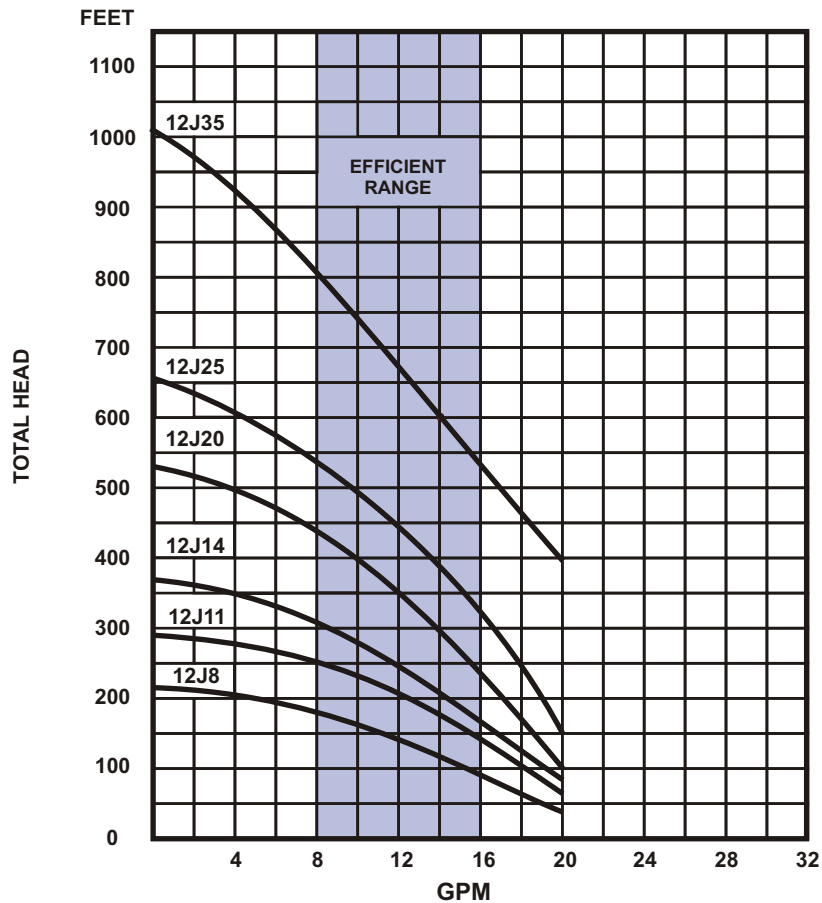
PUMP MODEL	HP	PSI	DEPTH TO PUMPING WATER LEVEL, OR LIFT, IN FEET																										
			SHADED AREAS INDICATE OPERATING RANGE																										
			400	420	440	460	480	500	520	540	560	580	600	620	640	660	680	700	720	740	760	780	800	840	880	920			

12J35	3	0				17	17	16	16	16	15	15	14	13	13	12	12	12	11	10	10	9	9	7	7	6	4	
		20			17	17	16	15	15	15	14	13	13	12	12	12	11	11	10	9	9	8	7	7	6	5	4	
		30		17	17	16	15	15	15	14	13	13	12	12	12	11	11	10	9	9	8	7	7	6	5	4	3	
		40	17	17	16	15	15	14	13	13	12	12	11	11	10	10	10	9	8	7	7	6	5	4	3			
		50	17	16	15	15	15	14	13	13	12	12	11	11	10	10	10	9	8	7	7	6	5	4	3			
		60	16	15	15	15	14	13	13	12	12	11	11	10	10	9	9	9	7	7	6	5	4	4				
SHUT OFF	PSI	267	258	249	241	232	223	215	206	197	189	180	171	163	154	145	137	128	120	111	103	94	77	59	42			



## 4" SUBMERSIBLE CURVE

### 12J SERIES



### GPM - WEIGHT AND LENGTH DATA

MODEL	HP	NO. OF STAGES	NO. WIRE	PHASE	LENGTH - INCHES		SHIPPING WEIGHT		DISCH.
					PUMP	MOTOR	PUMP	MOTOR	SIZE
12J8	1/2	8	2	1	12 1/2	9.53	9	18	1"
			3	1	12 1/2	9.53	9	18	1"
12J11	3/4	11	2	1	14 1/2	10.66	10	21	1"
			3	1	14 1/2	10.66	10	21	1"
12J14	1	14	2	1	16 7/8	11.75	11	24	1"
			3	1	16 7/8	11.75	11	24	1"
12J20	1 1/2	20	2	1	21 1/8	15.12	13	32	1"
			3	1	21 1/8	13.62	13	29	1"
12J25	2	25	3	1	24 3/4	15.12	14	32	1"
			3	3	34 3/4	13.62	14	28	1"
12J35	3	35	3	1	32	19.06	18	41	1"
			3	3	32	16.06	18	35	1"



# PERFORMANCE CHART

## 18 GPM SERIES

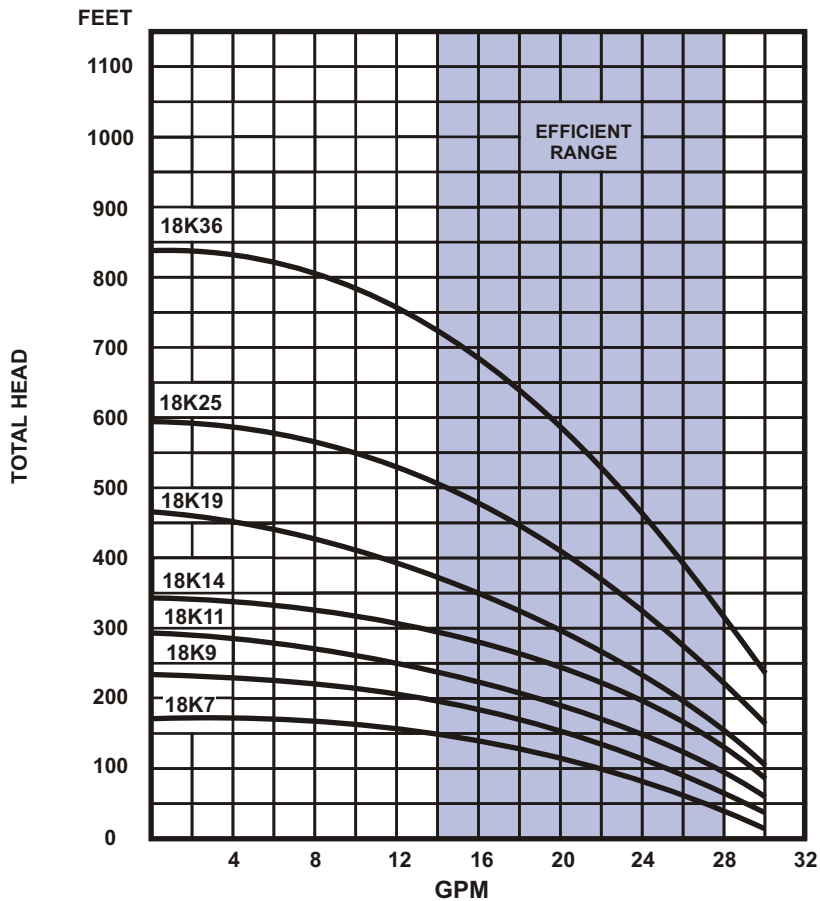
CAPACITIES IN U.S. GALLONS PER MINUTE

PUMP MODEL	HP	PSI	DEPTH TO PUMPING WATER LEVEL, OR LIFT, IN FEET																											
			20	40	60	80	100	120	140	160	180	200	240	260	300	340	380	420	460	480	520	560	600	700	800	900				
18K7	1/2	0	30	28	26	24	22	19	17	10																				
		20	25	24	22	18	15	10																						
		30	23	21	18	15	5																							
		40	21	18	15																									
		50	18	15																										
		60	11																											
SHUT OFF		PSI	67	59	50	41	33	24	16	7																				
18K9	3/4	0	31	30	29	27	25	23	22	20	18	15																		
		20	28	27	25	24	22	20	17	8	8																			
		30	27	24	23	21	19	17	13	7																				
		40	24	23	21	19	16	12	6																					
		50	23	21	19	15	10	6																						
		60	20	18	15	10	5																							
SHUT OFF		PSI	91	83	74	65	57	48	40	31	22	14																		
18K11	1	0	32	31	30	28	27	25	23	20	19	13	10																	
		20	30	29	27	25	24	22	20	19	16	16																		
		30	28	27	25	24	23	20	18	16	11																			
		40	26	25	24	22	18	17	16	11																				
		50	25	23	21	19	17	15	10																					
		60	23	21	19	17	15	9																						
SHUT OFF		PSI	111	103	94	85	77	68	60	51	42	34	16	8																
18K14	1 1/2	0	33	33	32	31	29	28	28	26	25	24	20	19	15															
		20	32	31	29	28	27	25	25	23	22	20	17	15																
		30	31	29	28	27	25	25	23	22	20	18	15	6																
		40	28	27	26	25	24	23	20	20	18	16	6																	
		50	27	26	25	24	23	21	20	18	15	13																		
		60	25	25	24	22	20	20	18	15	12																			
SHUT OFF		PSI	141	133	124	115	107	98	90	81	72	64	46	38	20	3														
18K19	2	0					30	29	28	27	26	25	24	23	21	20	15	10												
		20				30	28	27	26	25	25	24	22	21	20	15	10													
		30			30	28	27	26	25	24	23	23	21	19	17	13														
		40		30	28	27	26	25	24	23	22	22	19	19	15	10														
		50	30	28	27	26	25	24	23	22	20	20	19	16	12	6														
		60	28	27	26	25	24	23	22	21	20	19	16	15	8															
SHUT OFF		PSI	191	183	174	165	157	148	140	131	122	114	96	88	70	52	35	18												
18K25	3	0							30	30	29	28	27	27	26	22	20	18	17	15	10									
		20							30	29	29	28	27	26	24	22	20	18	16	15	10									
		30							30	29	28	28	27	26	24	23	21	19	17	13	11									
		40						30	29	29	28	27	26	24	23	21	19	18	15	11	8									
		50					30	29	29	28	27	26	25	23	22	20	18	16	12	8										
		60			30	29	29	28	27	26	25	24	22	21	19	17	15	10												
SHUT OFF		PSI			228	219	211	202	193	185	176	168	150	142	124	107	90	72	55	46	29	12								
18K36	5	0	26	25	24	24	23	23	22	21	20	20	19	18	17	17	16	15	14	13	12	10								
		20	24	24	23	23	22	21	20	20	20	19	18	17	17	16	15	14	13	12	10									
		30	24	23	22	22	21	20	20	20	19	18	17	16	16	15	14	13	12	10										
		40	23	22	21	21	20	20	19	19	18	17	17	16	15	14	13	12	10											
		50	22	22	21	20	20	19	18	18	17	17	16	15	14	13	12	10												
		60	22	21	20	20	19	18	17	17	17	16	15	14	13	11	10													
SHUT OFF		PSI	187	178	169	161	152	143	135	126	117	109	100	91	83	74	65	57	48	39	31	22	13							



## 4" SUBMERSIBLE CURVE

### 18K SERIES



### GPM - WEIGHT AND LENGTH DATA

MODEL	HP	NO. OF STAGES	NO. WIRE	PHASE	LENGTH - INCHES		SHIPPING WEIGHT		DISCH.
					PUMP	MOTOR	PUMP	MOTOR	SIZE
18K7	1/2	7	2	1	13 9/16	9.53	9	18	1.25"
			3	1	13 9/16	9.53	9	18	1.25"
18K9	3/4	9	2	1	15 1/2	10.66	9	21	1.25"
			3	1	15 1/2	10.66	9	21	1.25"
18K11	1	11	2	1	17 3/8	11.75	11	24	1.25"
			3	1	17 3/8	11.75	11	24	1.25"
18K14	1 1/2	14	2	1	20 3/16	15.12	12	32	1.25"
			3	1	20 3/16	13.62	12	29	1.25"
18K19	2	19	3	1	25	15.12	14	32	1.25"
			3	3	25	13.62	14	28	1.25"
18K25	3	25	3	1	30 3/4	19.06	16	41	1.25"
			3	3	30 3/4	16.06	16	35	1.25"
18K36	5	36	3	1	36 1/2	28.20	18	70	1.25"
			3	3	36 1/2	22.20	18	55	1.25"



## PERFORMANCE CHART

### 25 GPM SERIES

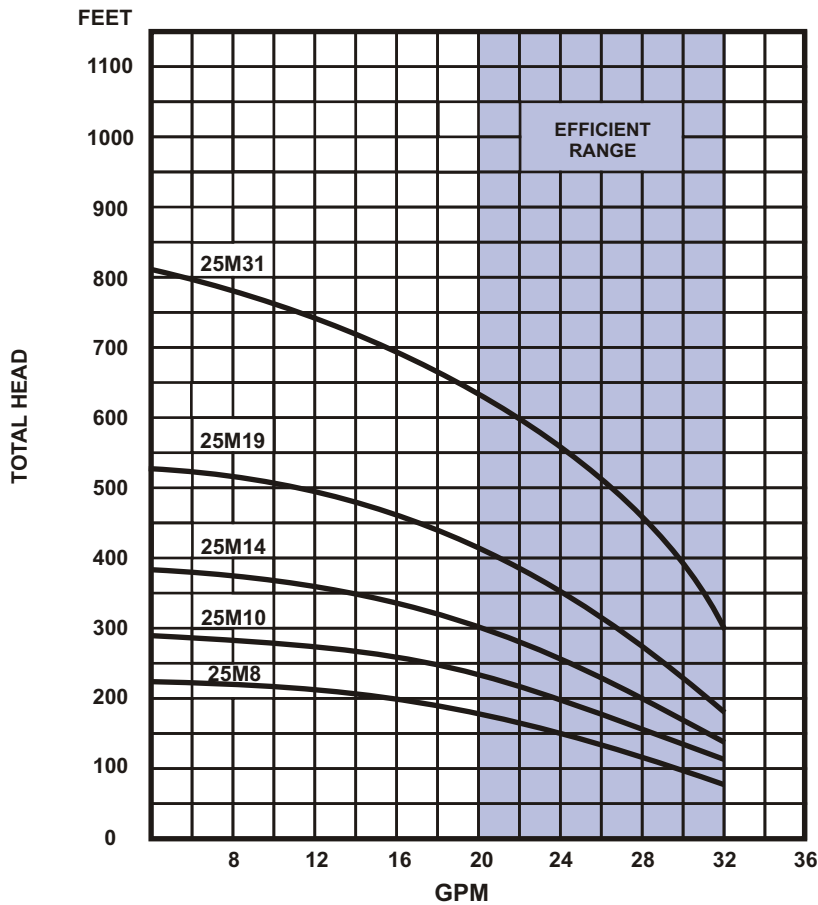
CAPACITIES IN U.S. GALLONS PER MINUTE

PUMP MODEL	HP	PSI	DEPTH TO PUMPING WATER LEVEL, OR LIFT, IN FEET																										
			20	40	60	80	100	120	140	160	180	200	240	260	300	340	380	420	460	480	520	560	600	700	800	900			
25M8	1	0	36	35	33	32	30	28	26	23	19	15																	
		20	33	32	30	27	25	22	19	13																			
		30	31	29	27	25	21	17	13																				
		40	30	27	23	20	17	12																					
		50	26	24	21	17	10																						
		60	23	21	16	5																							
SHUT OFF	PSI	89	81	72	63	55	46	38	29	20	12																		
25M10	1 1/2	0	37	36	35	34	33	31	30	27	25	23	20	16															
		20	35	33	33	31	30	26	25	23	20	18	12																
		30	33	32	30	29	26	24	22	20	17	8																	
		40	32	30	27	26	24	23	20	17	6																		
		50	30	28	26	23	21	20	17	6																			
		60	27	26	23	21	20	17	6																				
SHUT OFF	PSI	116	108	99	90	82	73	65	56	47	39	21	13																
25M14	2	0			36	35	34	33	32	31	30	28	25	24	20	16													
		20		36	34	33	32	31	30	27	26	25	22	20	15														
		30	36	34	33	32	31	30	27	26	25	23	20	18	10														
		40	34	33	32	31	30	27	26	25	23	21	18	15															
		50	33	32	31	28	27	26	25	23	21	19	12	10															
		60	32	31	28	27	26	25	23	20	18	16	8																
SHUT OFF	PSI	161	152	144	135	127	118	110	101	92	84	66	58	40	23														
25M19	3	0					35	34	33	33	32	31	30	29	27	25	23	20	16	15									
		20				35	33	33	32	32	31	30	28	27	26	23	18	16	8										
		30			35	34	32	32	31	30	29	29	27	26	23	21	17	13											
		40		35	34	32	31	31	30	29	28	27	26	25	22	19	14	8											
		50	35	34	32	31	30	30	29	28	27	26	24	23	21	16	10												
		60	34	32	31	31	30	29	28	27	26	25	23	22	18	14													
SHUT OFF	PSI	218	210	201	192	184	175	167	158	149	141	123	115	97	80	63	45	28	19										
25M31	5	0									35	35	34	33	32	31	30	29	28	27	26	24	22	16	6				
		20									35	35	34	33	32	31	30	29	28	27	26	24	22	19	12				
		30								35	35	34	33	33	32	31	30	29	27	26	24	22	20	17	9				
		40							35	35	34	34	33	32	32	30	29	28	26	24	22	21	18	16	6				
		50						35	35	34	34	33	32	32	31	30	29	26	25	23	21	20	17	15					
		60					35	35	34	34	33	33	32	31	30	29	28	26	24	22	20	17	16	13					
SHUT OFF	PSI				321	312	304	295	286	278	269	252	244	226	209	192	174	157	148	131	114	96	52	9					



## 4" SUBMERSIBLE CURVE

### 25M SERIES



### GPM - WEIGHT AND LENGTH DATA

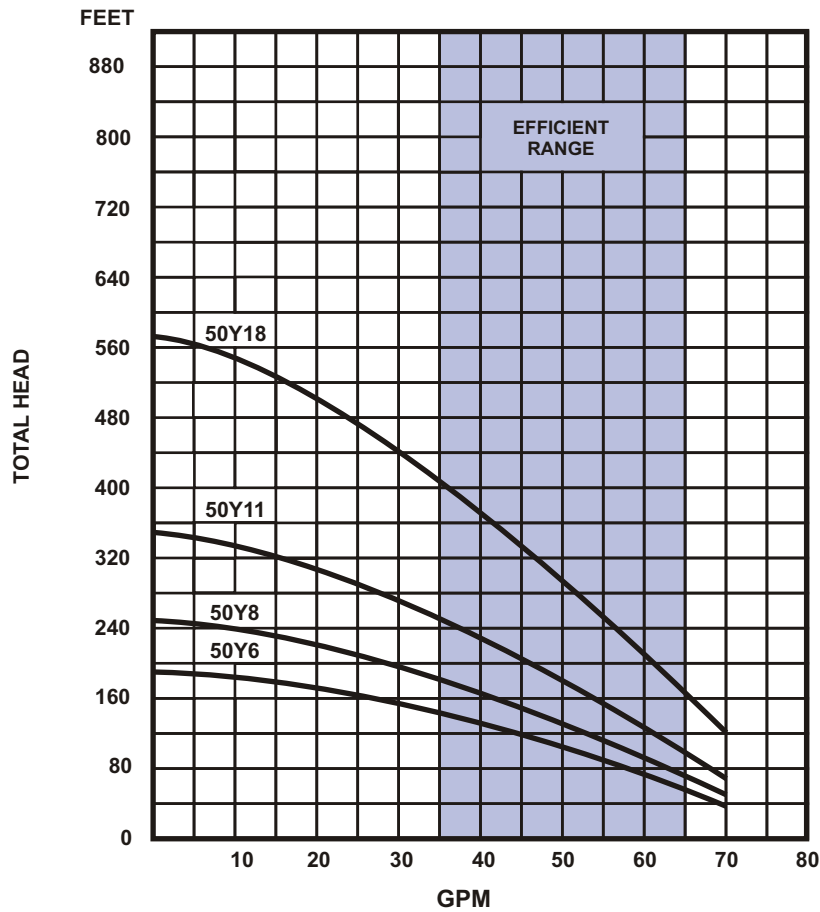
MODEL	HP	NO. OF STAGES	NO. WIRE	PHASE	LENGTH - INCHES		SHIPPING WEIGHT		DISCH.
					PUMP	MOTOR	PUMP	MOTOR	SIZE
25M8	1	8	2	1	14 1/2	11.75	9	24	1.25"
			3	1	14 1/2	11.75	9	24	1.25"
25M10	1 1/2	10	2	1	16 1/2	15.12	10	32	1.25"
			3	1	16 1/2	13.62	10	29	1.25"
25M14	2	14	3	1	20 1/4	15.12	12	32	1.25"
			3	3	20 1/4	13.62	12	28	1.25"
25M19	3	19	3	1	25	19.06	14	41	1.25"
			3	3	25	16.06	14	35	1.25"
25M31	5	31	3	1	36 1/2	28.20	18	70	1.25"
			3	3	36 1/2	22.20	18	55	1.25"





## 4" SUBMERSIBLE CURVE

### 50Y SERIES



### GPM - WEIGHT AND LENGTH DATA

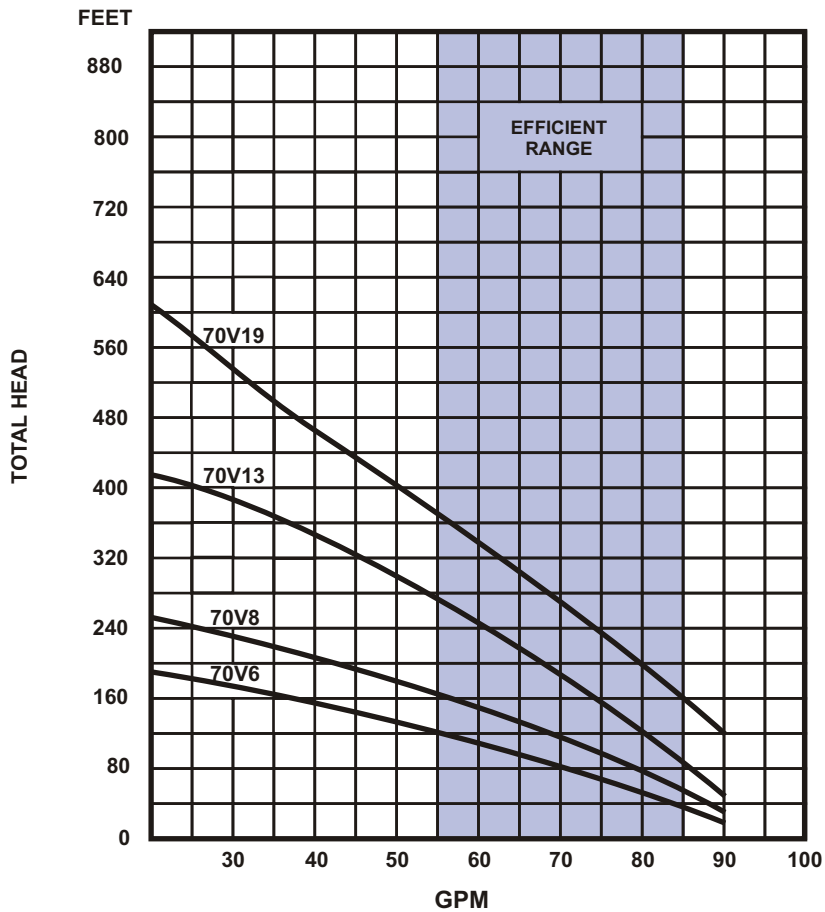
MODEL	HP	NO. OF STAGES	NO. WIRE	PHASE	LENGTH - INCHES		SHIPPING WEIGHT		DISCH. SIZE
					PUMP	MOTOR	PUMP	MOTOR	
50Y6	1 ½	6	12	1	20 3/4	13.60	15	29	2"
			3	3	20 3/4	13.62	15	28	2"
50Y8	2	8	3	1	25 1/4	15.12	17	32	2"
			3	3	25 1/4	13.62	17	28	2"
50Y11	3	11	3	1	32	19.06	20	41	2"
			3	3	32	16.06	20	35	2"
50Y18	5	18	3	1	47 1/2	28.20	26	64	2"
			3	3	47 1/2	22.20	26	49	2"





## 4" SUBMERSIBLE CURVE

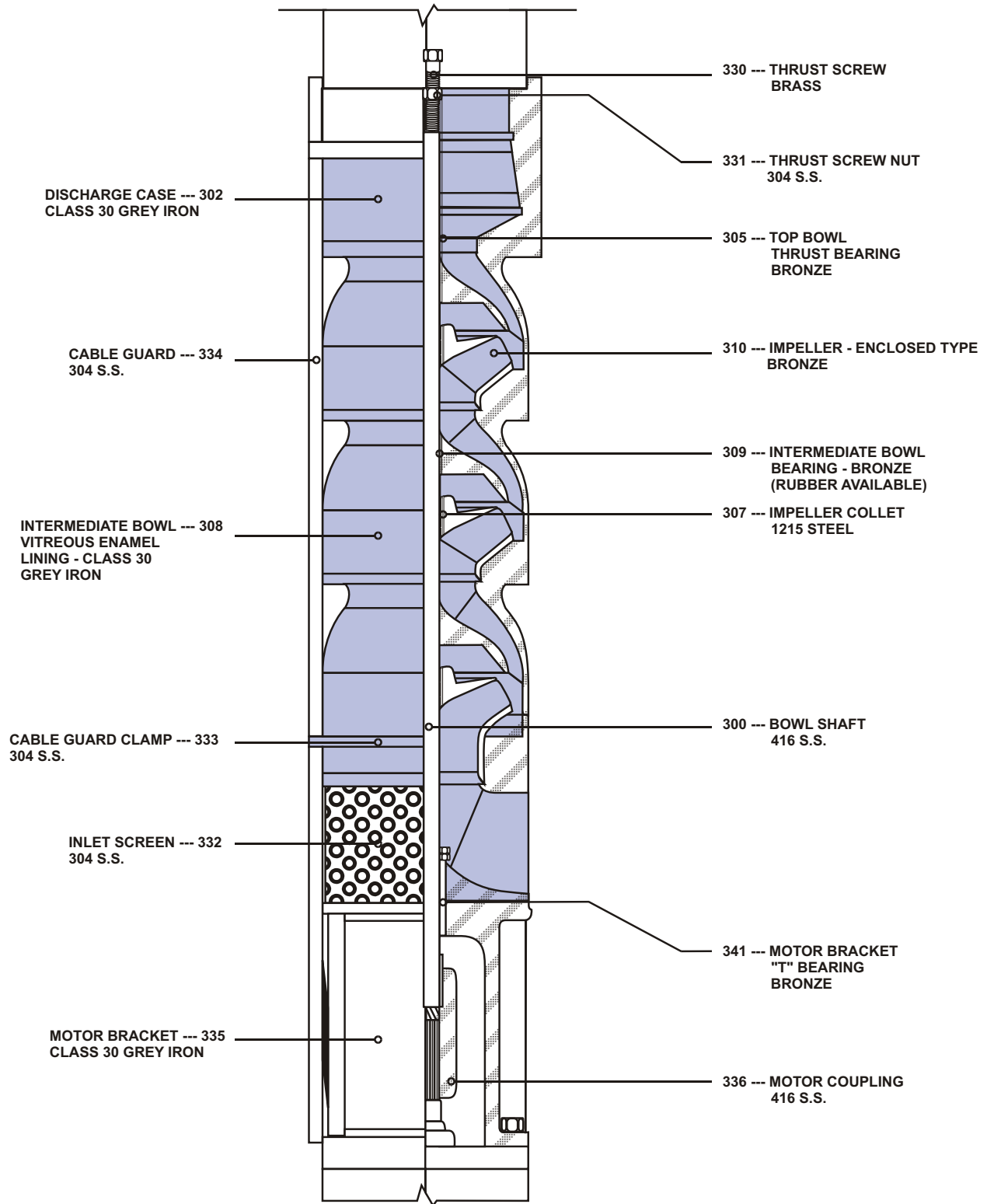
### 70V SERIES



### GPM - WEIGHT AND LENGTH DATA

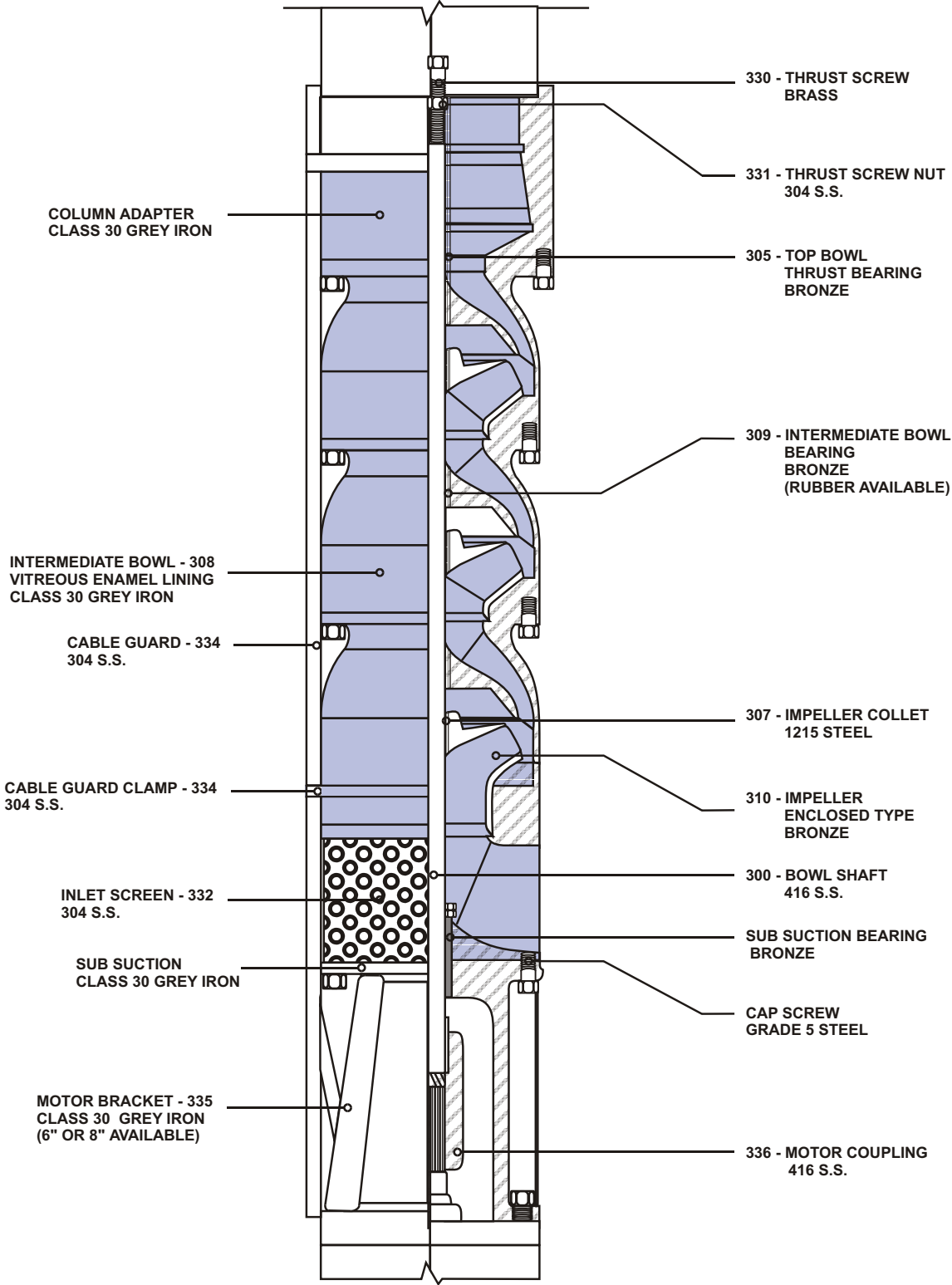
MODEL	HP	NO. OF STAGES	NO. WIRE	PHASE	LENGTH - INCHES		SHIPPING WEIGHT		DISCH. SIZE
					PUMP	MOTOR	PUMP	MOTOR	
70V6	2	6	3	1	20 3/4	15.12	15	33	2"
			3	3	20 3/4	13.62	15	28	2"
70V8	3	8	3	1	25 1/4	19.06	17	41	2"
			3	3	25 1/4	16.06	17	35	2"
70V13	5	13	3	1	37 3/4	28.20	20	64	2"
			3	3	37 3/4	22.20	20	49	2"
70V19	7 1/2	19	3	3	52 3/4	28.20	28	64	2"

# SUBMERSIBLE PUMP S6 - SE6 - SJ8 MODELS THREADED BOWLS



ALTERNATE MATERIALS AVAILABLE UPON REQUEST

# SUBMERSIBLE PUMP S8 AND LARGER MODELS



ALTERNATE MATERIALS AVAILABLE UPON REQUEST



## 6" SUBMERSIBLE TURBINE

### S6LC SERIES

### 100 GPM

CAPACITIES IN U.S. GALLONS PER MINUTE

TOTAL

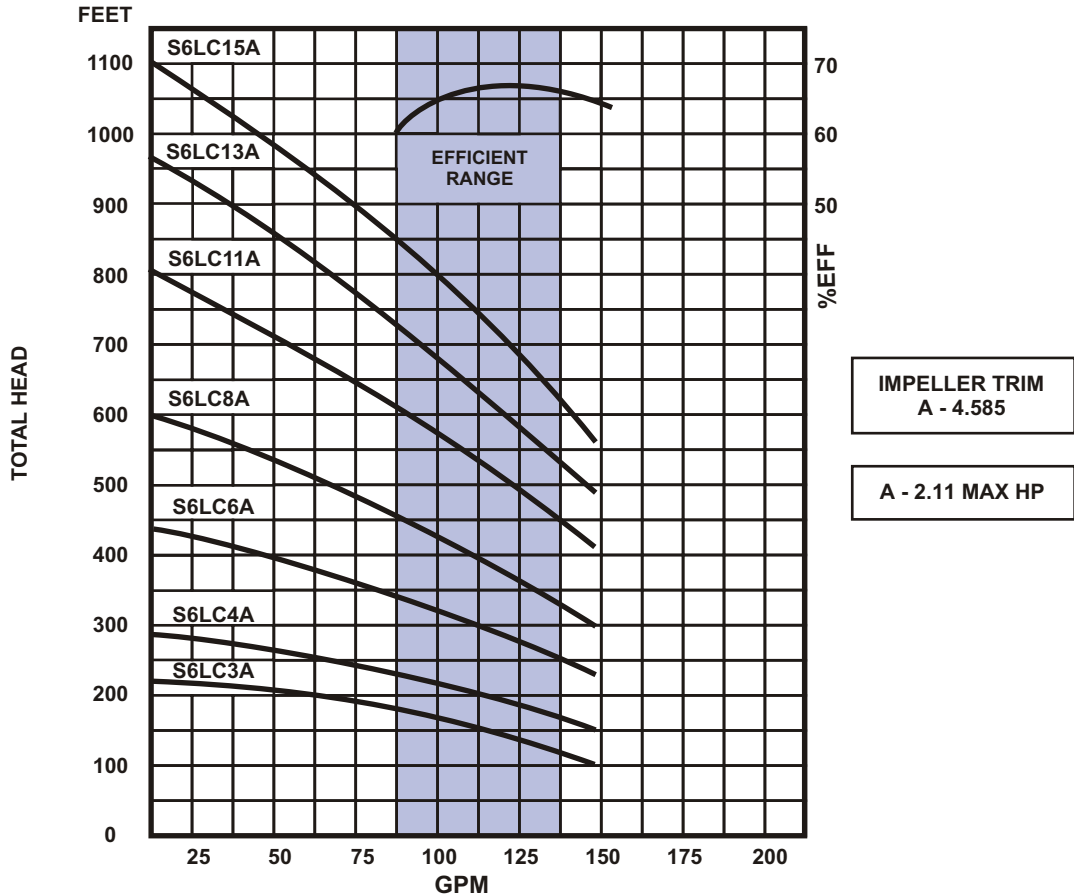
MODEL	HP	STG	PSI	DEPTH TO PUMPING WATER LEVEL, OR LIFT IN FEET																				SHUT OFF							
				50	75	100	125	150	175	200	250	300	350	400	450	500	550	600	650	700	750	800	850	900	950	FT	PSI				
S6LC3A A = 4.585	5	3	0			145	135	115	77	30															220'	95					
			20		139	118	85	40																							
			40	121	89	45																									
			60	52																											
S6LC4A A = 4.585	7 1/2	4	0				145	131	114	55															294'	127					
			20				133	117	92	60																					
			40		124	119	95	64	31																						
			60	122	100	70	36																								
S6LC6A A = 4.585	10	6	0								136	114	77	33											442'	191					
			20								137	116	81	36																	
			40						138	129	117	83	39																		
			60			140	131	120	105	87	42																				
S6LC8A A = 4.585	15	8	0									145	131	114	88	55									589'	255					
			20									132	115	90	57																
			40									133	116	91	58																
			60								134	117	92	59																	
S6LC11A A = 4.585	20	11	0													137	127	114	95	73	49				810'	351					
			20													138	128	115	96	74	50										
			40												139	129	116	97	75	51											
			60										140	130	117	98	76	52													
S6LC13A A = 4.585	25	13	0													143	134	125	114	98	81	60			957'	414					
			20													144	135	126	115	99	82	61									
			40												144	135	126	115	99	82	61										
			60										145	136	127	116	100	83	62												
S6LC15A A = 4.585	30	15	0														140	132	124	114	100	86	68	50	1100'	476					
			20														140	132	124	114	100	86	68	50							
			40													141	133	125	115	101	87	69	51								
			60												141	133	125	115	101	87	69	51									



## 6" SUBMERSIBLE CURVE

### S6LC SERIES

### 100 GPM



### GPM - WEIGHT AND LENGTH DATA

MODEL	HP	NO. OF STAGES	PHASE	LENGTH - INCHES		SHIPPING WEIGHT	
				PUMP	MOTOR	PUMP	MOTOR
S6LC3A	5	3	1	25.25	28.2	74	64
			3	25.25	22.2	74	49
S6LC4A	7 ½	4	1	29.25	28.0	88	123
			3	29.25	24.2	88	108
S6LC6A	10	6	1	37.25	30.6	116	141
			3	37.25	25.4	116	116
S6LC8A	15	8	1	45.25	33.1	144	154
			3	45.25	28.0	144	129
S6LC11A	20	11	3	57.25	28.0	186	145
S6LC13A	25	13	3	65.25	30.6	214	156
S6LC15A	30	15	3	73.25	33.1	242	156

NOTES: DISCHARGE PIPE SIZE IS 3" OR 4" - MUST SPECIFY  
CHECK VALVE NOT INCLUDED

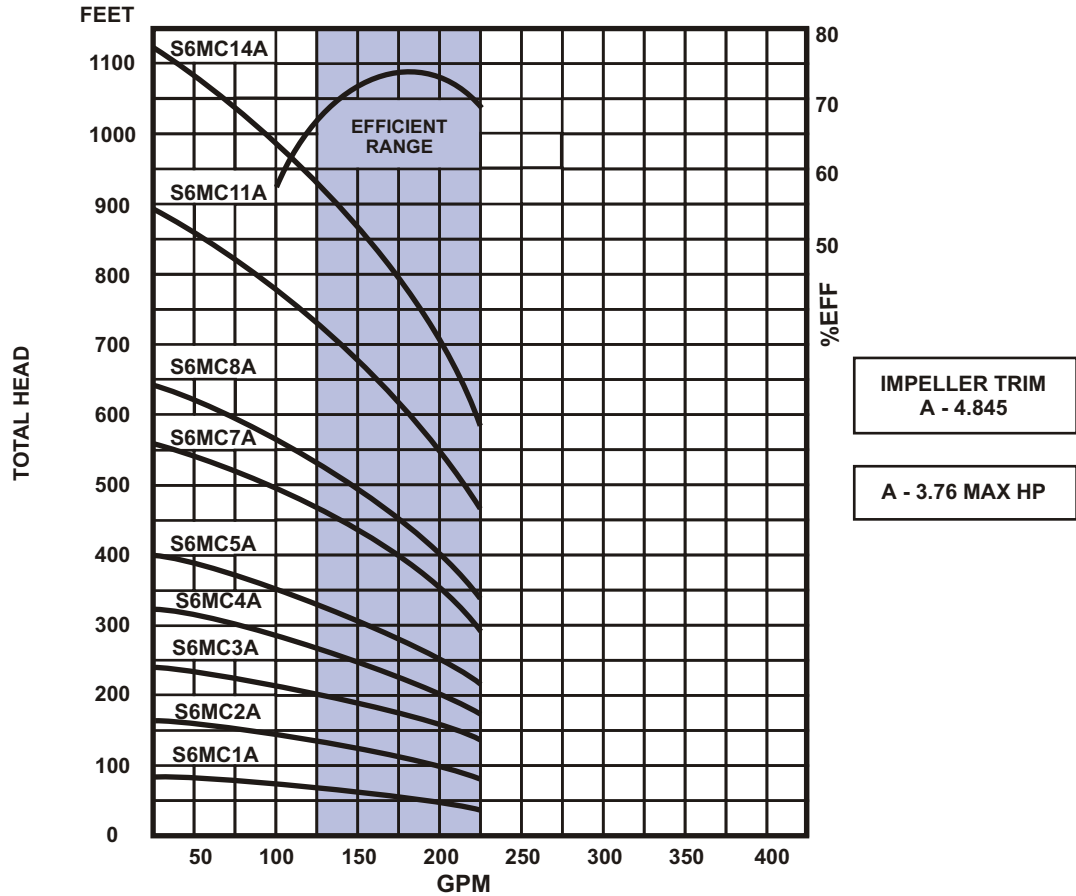




## 6" SUBMERSIBLE CURVE

### S6MC SERIES

175 GPM



### GPM - WEIGHT AND LENGTH DATA

MODEL	HP	NO. OF STAGES	PHASE	LENGTH - INCHES		SHIPPING WEIGHT	
				PUMP	MOTOR	PUMP	MOTOR
S6MC1A	5	1	1	17.25	28.2	46	64
			3	17.25	22.2	46	49
S6MC2A	7 ½	2	1	21.25	28.0	60	123
			3	21.25	24.2	60	108
S6MC3A	10	3	1	25.25	30.6	74	141
			3	25.25	25.4	74	116
S6MC4A	15	4	1	29.25	33.1	88	154
			3	29.25	28.0	88	129
S6MC5A	20	5	3	33.25	30.6	102	145
S6MC7A	25	7	3	41.25	33.1	130	156
S6MC8A	30	8	3	45.25	35.7	144	174
S6MC11A	40	11	3	57.25	40.8	186	202
S6MC14A	50	14	3	69.25	55.3	228	300

NOTES: DISCHARGE PIPE SIZE IS 3" OR 4" - MUST SPECIFY  
CHECK VALVE NOT INCLUDED



## 6" SUBMERSIBLE TURBINE

### S6HC SERIES

### 220 GPM

CAPACITIES IN U.S. GALLONS PER MINUTE

TOTAL

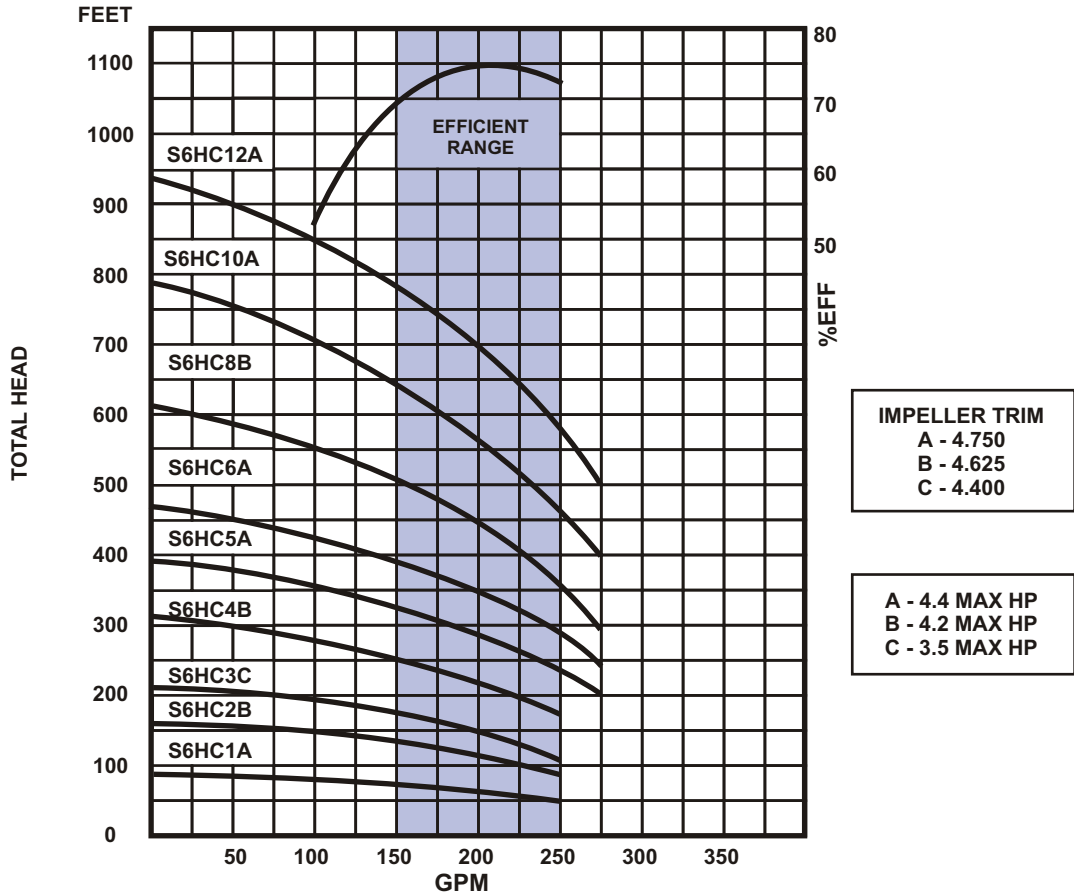
MODEL	HP	STG	PSI	DEPTH TO PUMPING WATER LEVEL, OR LIFT IN FEET																				SHUT OFF						
				50	75	100	125	150	175	200	250	300	350	400	450	500	550	600	650	700	750	800	850	900	950	FT	PSI			
S6HC1A A = 4.750	5	1	0	240	45																					78'	33			
			20																											
			40																											
			60																											
S6HC2B B = 4.625	7 1/2	2	0			235	200	145	52																	154'	67			
			20	238	172																									
			40	65																										
			60																											
S6HC3C C = 4.40	10	3	0				235	200	145	52																210'	91			
			20		240	207	156	70																						
			40	243	162	83																								
			60	101																										
S6HC4B B = 4.625	15	4	0					253	230	158	21															307'	132			
			20				251	234	204	165	33																			
			40		259	237	208	170	119	43																				
			60	242	214	176	128	55																						
S6HC5A A = 4.750	20	5	0						275	240	186	108														393'	170			
			20				277	261	243	191	118																			
			40				263	246	223	195	123																			
			60		266	250	227	200	168	130																				
S6HC6A A = 4.750	25	6	0							269	240	197	139	45												472'	204			
			20						271	243	201	144	54																	
			40					273	260	245	204	148	60																	
			60			275	262	248	229	207	153	68																		
S6HC8B B = 4.625	30	8	0								253	230	198	158	99	21										614'	266			
			20									255	232	201	162	105	23													
			40									256	233	201	164	110	32													
			60					268	258	235	203	168	115	38																
S6HC10A A = 4.750	40	10	0									275	259	240	216	186	152	108	45						787'	341				
			20										276	260	241	219	189	155	113	50										
			40										277	261	242	220	190	156	114	51										
			60										278	262	243	221	191	157	115	52										
S6HC12A A = 4.750	50	12	0												269	256	240	221	197	170	139	97			944'	409				
			20													270	257	241	222	198	171	140	98							
			40													271	258	242	223	199	171	141	105							
			60													279	259	243	224	200	172	142	109							



## 6" SUBMERSIBLE CURVE

### S6HC SERIES

220 GPM



### GPM - WEIGHT AND LENGTH DATA

MODEL	HP	NO. OF STAGES	PHASE	LENGTH - INCHES		SHIPPING WEIGHT	
				PUMP	MOTOR	PUMP	MOTOR
S6HC1A	5	1	1	17.25	28.2	46	64
			3	17.25	22.2	46	49
S6HC2B	7 ½	2	1	21.25	28.0	60	123
			3	21.25	24.2	60	108
S6HC3C	10	3	1	25.25	30.6	74	141
			3	25.25	25.4	74	116
S6HC4B	15	4	1	29.25	33.1	88	154
			3	29.25	28.0	88	129
S6HC5A	20	5	3	33.25	30.6	102	145
S6HC6A	25	6	3	37.25	33.1	116	156
S6HC8B	30	8	3	45.25	35.7	144	174
S6HC10A	40	10	3	53.25	40.8	172	202
S6HC12A	50	12	3	61.25	55.3	200	300

NOTES: DISCHARGE PIPE SIZE IS 3" OR 4" - MUST SPECIFY  
CHECK VALVE NOT INCLUDED



## 6" SUBMERSIBLE TURBINE

### SE6XHC SERIES

### 400 GPM

CAPACITIES IN U.S. GALLONS PER MINUTE

TOTAL

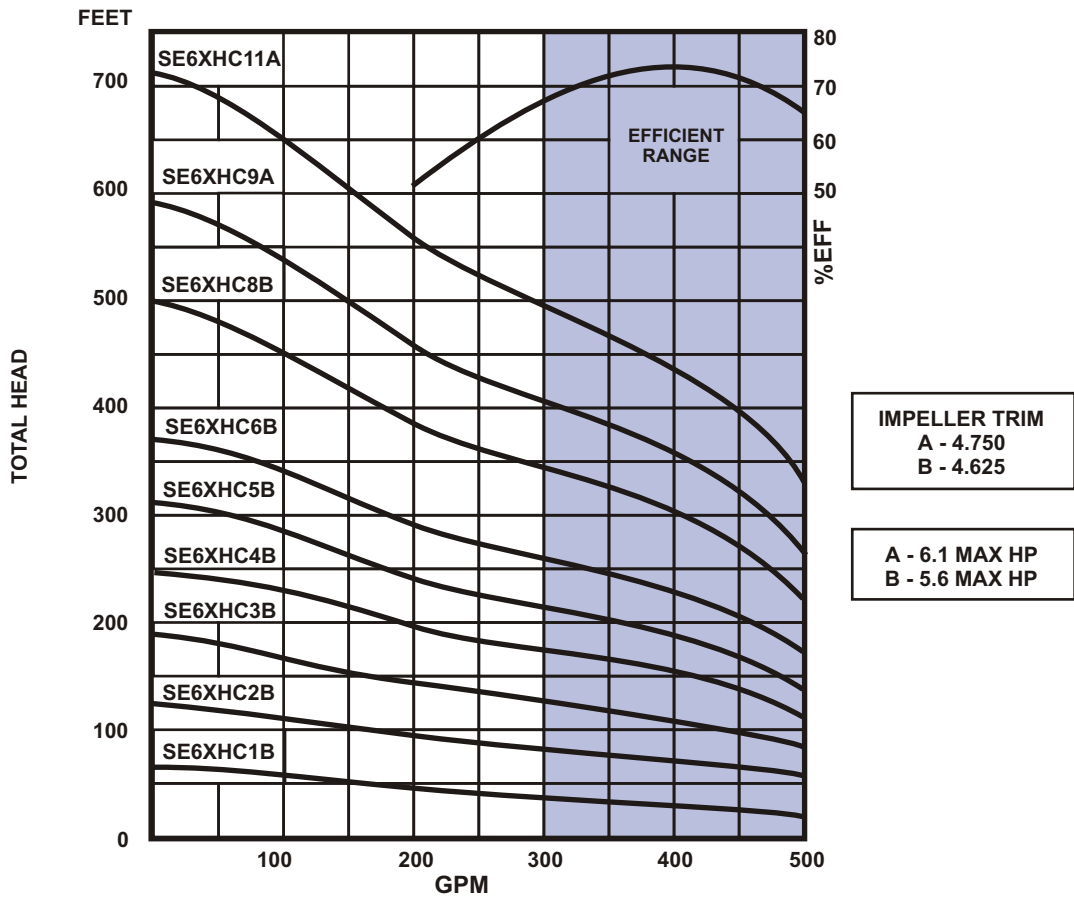
MODEL	HP	STG	PSI	DEPTH TO PUMPING WATER LEVEL, OR LIFT IN FEET																				SHUT OFF						
				20	40	60	80	100	125	150	175	200	225	250	275	300	350	400	450	500	550	600	650	700	750	FT	PSI			
SE6XHC1B B = 4.625	5	1	0	533	377	58																					62'	27		
			20																											
			40																											
			60																											
SE6XHC2B B = 4.625	10	2	0	567	533	483	377	176																			125'	54		
			20	457	280	141																								
			40	100																										
			60																											
SE6XHC3B B = 4.625	15	3	0			533	503	454	322	176	78															187'	81			
			20		491	437	310	192	93																					
			40	412	247	164	86																							
			60	141	62																									
SE6XHC4B B = 4.625	20	4	0			550	533	512	472	413	261	176	103													249'	108			
			20		528	504	470	425	286	188	144																			
			40	494	455	405	274	197	123																					
			60	382	240	179	120																							
SE6XHC5B B = 4.625	25	5	0				547	533	512	484	440	377	237	176	117											312'	135			
			20		536	529	511	488	447	392	250	185	127																	
			40	524	503	478	443	401	265	192	134																			
			60	468	433	456	425	381	255	197	149																			
SE6XHC6B B = 4.625	30	6	0				556	545	531	512	488	454	413	322	226	176	78									374'	162			
			20		541	530	516	492	460	421	347	234	184	135																
			40		526	509	490	464	427	367	241	190	141																	
			60	506	487	456	425	381	255	197	149																			
SE6XHC8B B = 4.625	40	8	0					559	548	538	527	512	494	472	445	413	261	176	103							499'	216			
			20				548	539	529	515	497	477	449	419	375	274	182	108												
			40			536	528	517	499	480	453	423	382	283	223	186														
			60	525	513	499	484	457	429	391	296	230	192	155																
SE6XHC9A A = 4.75	50	9	0									550	540	520	510	490	470	420	320	200	130	50				591'	256			
			20						530	520	510	500	480	460	440	330	200	130	50											
			40					530	510	500	480	460	440	400	330	200	130	50												
			60				520	500	480	460	440	400	350	270	220	150	70													
SE6XHC11A A = 4.75	60	11	0										552	545	530	520	510	490	460	400	300	200	150	90			723'	313		
			20								550	540	520	510	500	490	460	400	300	200	150	90								
			40						540	530	510	500	490	480	460	400	300	200	150	90										
			60					530	520	510	490	480	460	440	400	300	200	150	90											



## 6" SUBMERSIBLE CURVE

### SE6XHC SERIES

### 400 GPM



### GPM - WEIGHT AND LENGTH DATA

MODEL	HP	NO. OF STAGES	PHASE	LENGTH - INCHES		SHIPPING WEIGHT	
				PUMP	MOTOR	PUMP	MOTOR
SE6XHC1B	5	1	1	14.8	28.2	60	64
			3	14.8	22.2	60	49
SE6XHC2B	10	2	1	21	30.6	85	141
			3	21	25.4	85	116
SE6XHC3B	15	3	1	27.2	33.1	110	154
			3	27.2	28.0	110	129
SE6XHC4B	20	4	3	33.4	30.6	135	145
SE6XHC5B	25	5	3	39.6	33.1	160	156
SE6XHC6B	30	6	3	45.7	35.7	185	174
SE6XHC8B	40	8	3	58.1	40.8	235	202
SE6XHC9A	50	9	3	64.3	55.3	260	300
SE6XHC11A	60	11	3	76.7	61.3	310	330

NOTES: DISCHARGE PIPE SIZE IS 4".  
CHECK VALVE NOT INCLUDED



# 8" SUBMERSIBLE TURBINE

## S8LC SERIES

### 600 GPM

CAPACITIES IN U.S. GALLONS PER MINUTE

TOTAL

MODEL	HP	STG	PSI	DEPTH TO PUMPING WATER LEVEL, OR LIFT IN FEET																				SHUT OFF							
				20	40	60	80	100	125	150	175	200	225	250	275	300	350	400	450	500	550	600	650	700	750	FT	PSI				
S8LC1D D = 5.250	10	1	0	748	637	491	302																			99'	43				
			20	443	217																										
			40																												
			60																												
S8LC1A A = 5.688	15	1	0	845	753	638	487	262																		116'	50				
			20	595	463	165																									
			40																												
			60																												
S8LC2D D = 5.250	20	2	0		748	694	637	570	471	358	195															198'	85				
			20	678	618	547	467	377	224																						
			40	519	439	343	209																								
			60	308	165																										
S8LC2B B = 5.538	25	2	0		813	765	716	659	572	473	352															220'	95				
			20	750	699	640	568	490	374	204																					
			40	617	541	461	363	227																							
			60	436	328	181																									
S8LC3D D = 5.250	30	3	0			765	712	676	626	570	505	438	358	256												298'	129				
			20	737	701	665	581	515	449	371	275																				
			40	652	609	562	510	457	380	290																					
			60	547	494	441	377	306	187																						
S8LC3A A = 5.688	40	3	0			845	815	784	746	700	650	590	527	459	374	260										348'	151				
			20		805	774	744	707	659	600	538	471	390	284	149																
			40	764	732	694	655	607	546	479	401	299	165																		
			60	683	641	593	543	490	417	317	187																				
S8LC4A A = 5.688	50	4	0				845	822	793	765	735	700	663	621	575	527	423	262								464'	201				
			20		893	815	792	769	741	705	669	628	582	535	485	432	278														
			40	807	784	761	738	710	674	633	588	541	491	438	370	290															
			60	754	729	701	672	640	595	549	499	447	382	305	205																
S8LC5B B = 5.538	60	5	0					813	789	765	740	716	688	659	627	591	514	432	322	173						551'	239				
			20			807	788	768	744	720	692	664	632	597	559	520	438	332													
			40	801	781	762	742	723	696	667	636	602	564	525	485	443	339														
			60	756	737	717	695	672	642	608	570	531	492	450	403	348															
*S8LC6B B = 5.538	75	6	0						831	811	791	772	752	732	709	686	635	574	510	442	356	244				690'	299				
			20					814	795	775	755	735	713	689	666	639	579	515	448	363	254										
			40				809	793	777	757	738	716	692	669	642	614	583	519	452	368	261										
			60	804	788	772	757	741	720	696	673	647	618	588	556	524	457	376	271												

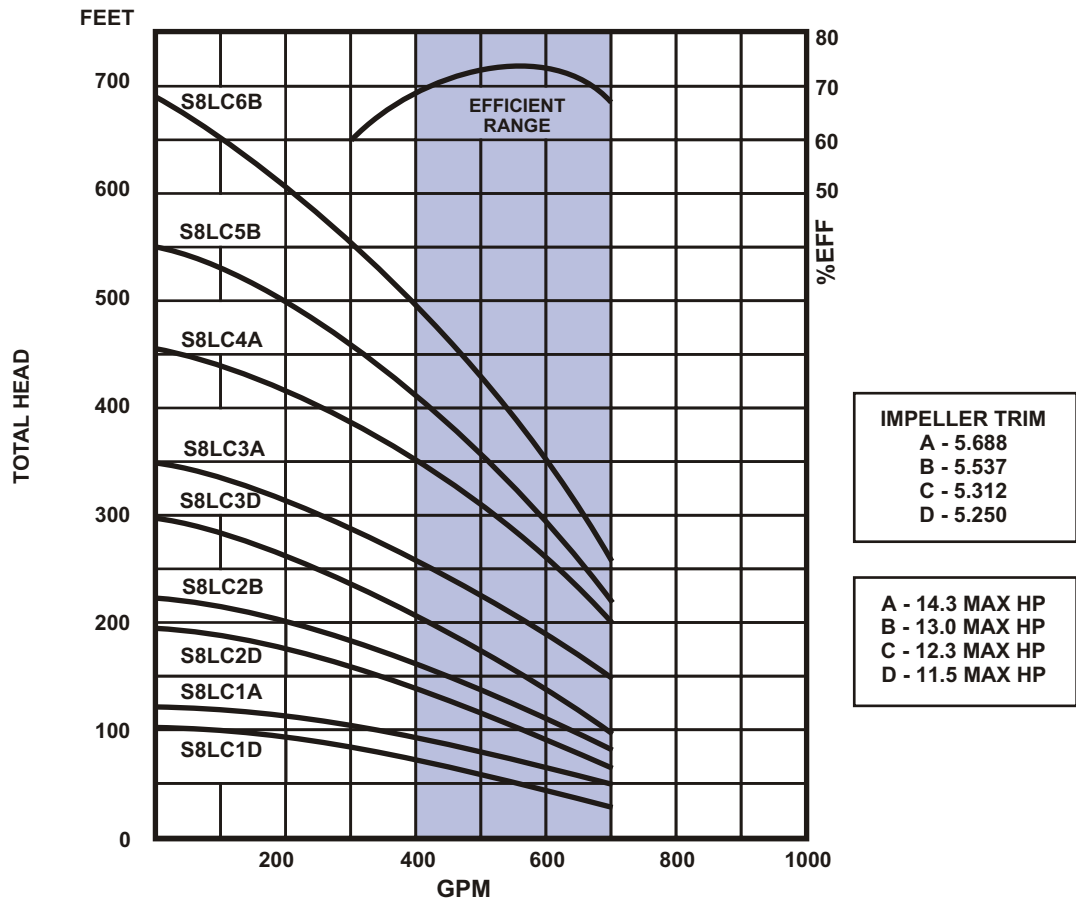
\*8" MOTOR REQUIRED



## 8" SUBMERSIBLE CURVE

### S8LC SERIES

600 GPM



### GPM - WEIGHT AND LENGTH DATA

MODEL	HP	NO. OF STAGES	PHASE	LENGTH - INCHES		SHIPPING WEIGHT	
				PUMP	MOTOR	PUMP	MOTOR
S8LC1D	10	1	1	27.75	30.6	115	141
			3	27.75	25.4	115	116
S8LC1A	15	1	1	27.75	33.1	115	154
			3	27.75	28.0	115	129
S8LC2D	20	2	3	34.50	30.6	150	145
S8LC2B	25	2	3	34.50	33.1	150	156
S8LC3D	30	3	3	41.25	35.7	185	174
S8LC3A	40	3	3	41.25	40.8	185	202
S8LC4A	50	4	3	48.00	55.3	220	300
S8LC5B	60	5	3	54.75	61.3	225	330
S8LC6B	75*	6	3	61.5	48.0	290	445

NOTES: \*8" MOTOR REQUIRED. DISCHARGE PIPE SIZE IS 5" OR 6" - MUST SPECIFY.  
CHECK VALVE NOT INCLUDED

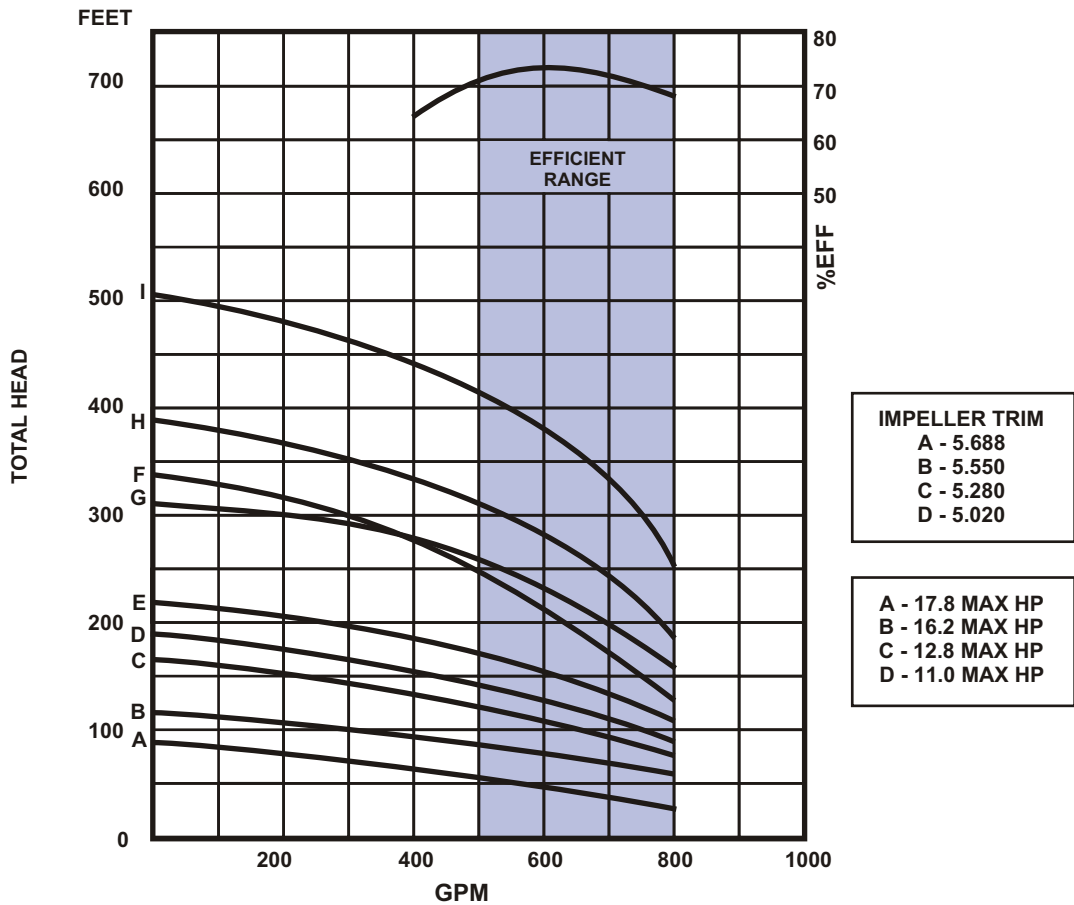




## 8" SUBMERSIBLE CURVE

### S8HC SERIES

### 700 GPM



### GPM - WEIGHT AND LENGTH DATA

CURVE	MODEL	HP	NO. OF STAGES	PHASE	LENGTH - INCHES		SHIPPING WEIGHT	
					PUMP	MOTOR	PUMP	MOTOR
A	S8HC1D	10	1	1	27.75	30.6	115	141
				3	27.75	25.4	115	116
B	S8HC1A	15	1	1	27.75	33.1	115	154
				3	27.75	28.0	115	129
C	S8HC2D	20	2	3	34.50	30.6	150	145
D	S8HC2C	25	2	3	34.50	33.1	150	156
E	S8HC2A	30	2	3	34.50	35.7	150	174
F	S8HC4D	40	4	3	48.00	40.8	220	202
G	S8HC3A	50	3	3	41.25	55.3	185	300
H	S8HC4B	60	4	3	54.75	61.3	225	330
I	S8HC5A	75*	5	3	61.50	48.0	290	445

NOTES: \*8" MOTOR REQUIRED. DISCHARGE PIPE SIZE IS 5" OR 6" - MUST SPECIFY.  
 CHECK VALVE NOT INCLUDED

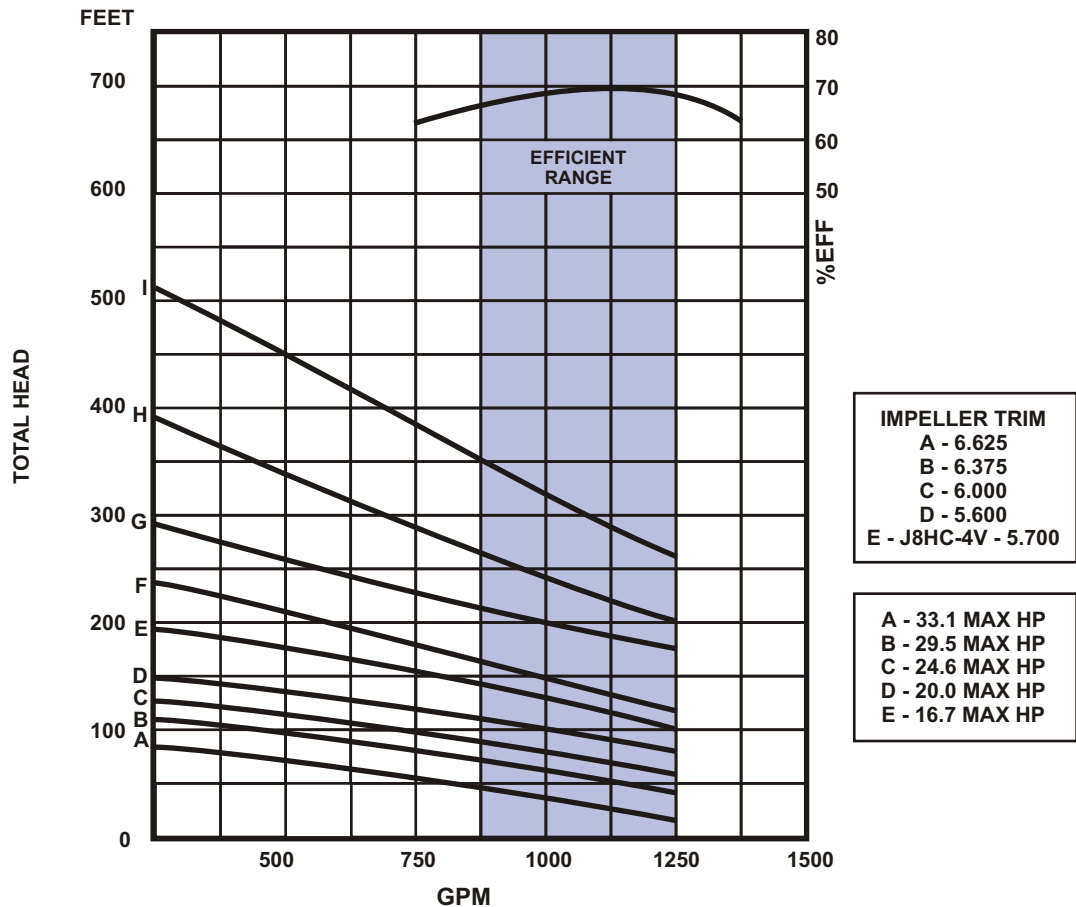




## 8" SUBMERSIBLE CURVE

### SJ8XHC SERIES

### 1100 GPM



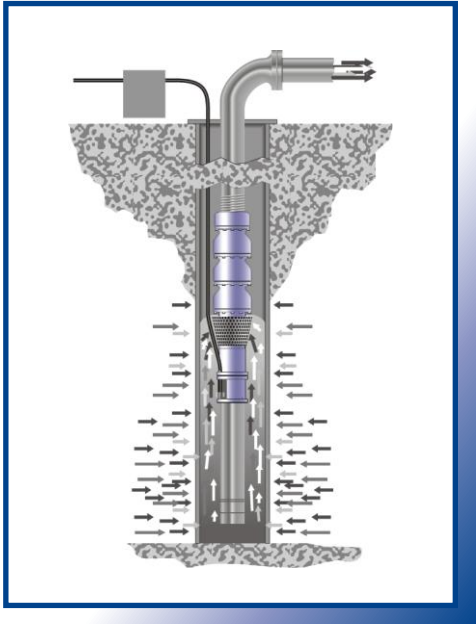
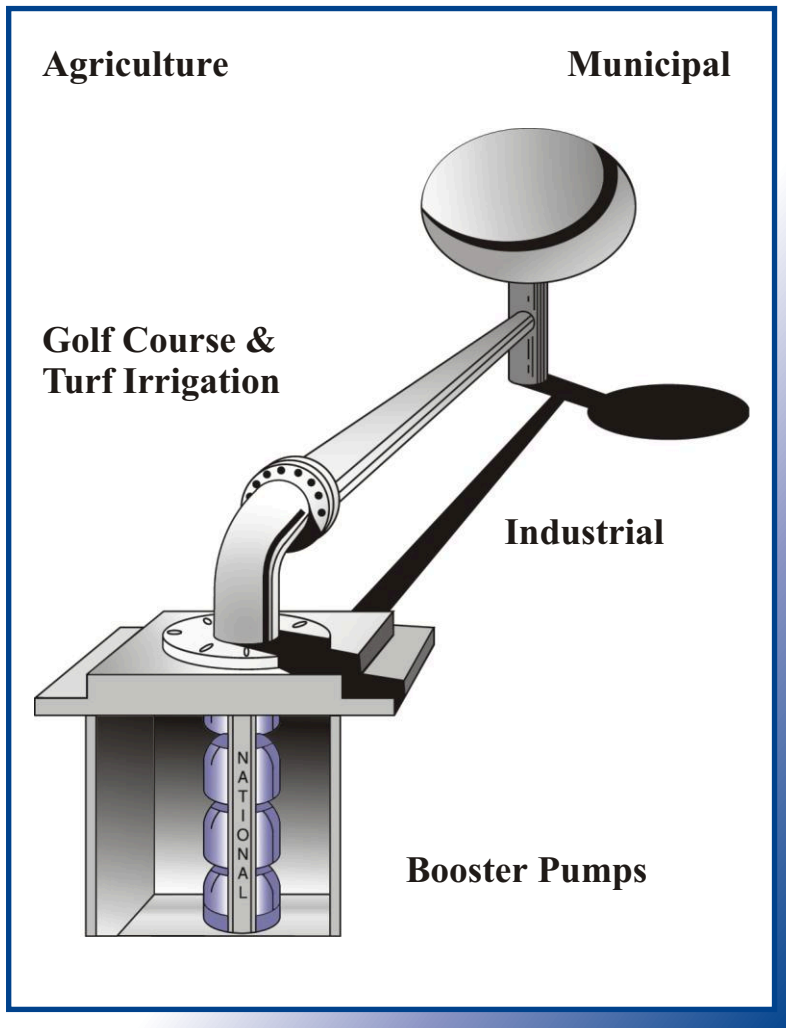
### GPM - WEIGHT AND LENGTH DATA

CURVE	MODEL	HP	NO. OF STAGES	PHASE	LENGTH - INCHES		SHIPPING WEIGHT	
					PUMP	MOTOR	PUMP	MOTOR
A	SJ8XHC1E	15	1	1	24.0	33.1	85	154
				3	24.0	28.0	85	129
B	SJ8XHC1D	20	1	3	24.0	30.6	85	145
C	SJ8XHC1C	25	1	3	24.0	33.1	85	156
D	SJ8XHC1A	30	1	3	24.0	35.7	85	174
E	SJ8XHC2D	40	2	3	32.8	40.8	130	202
F	SJ8XHC2C	50	2	3	32.8	55.3	130	300
G	SJ8XHC2A	60	2	3	32.8	61.3	160	330
H	SJ8XHC3B	75*	3	3	41.7	48.0	175	445
I	SJ8XHC4B	100*	4	3	50.6	55.5	220	530

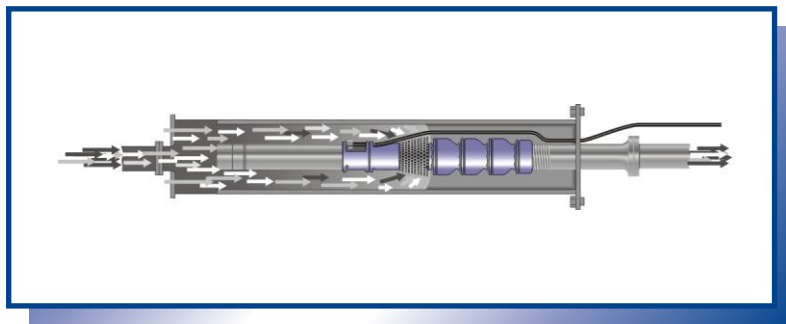
NOTES: \*8" MOTOR REQUIRED. DISCHARGE PIPE SIZE IS 6"  
 CHECK VALVE NOT INCLUDED

# Betta FLO

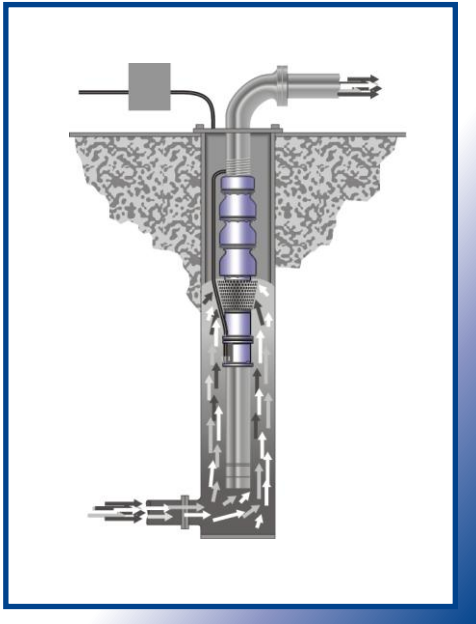
## 6" & LARGER SUBMERSIBLE PUMP PRODUCT



**Vertical Deep Well Submersible Pump**



**Horizontal In-Line Booster Pump**



**Vertical Booster Pump**